

RESISTORS:

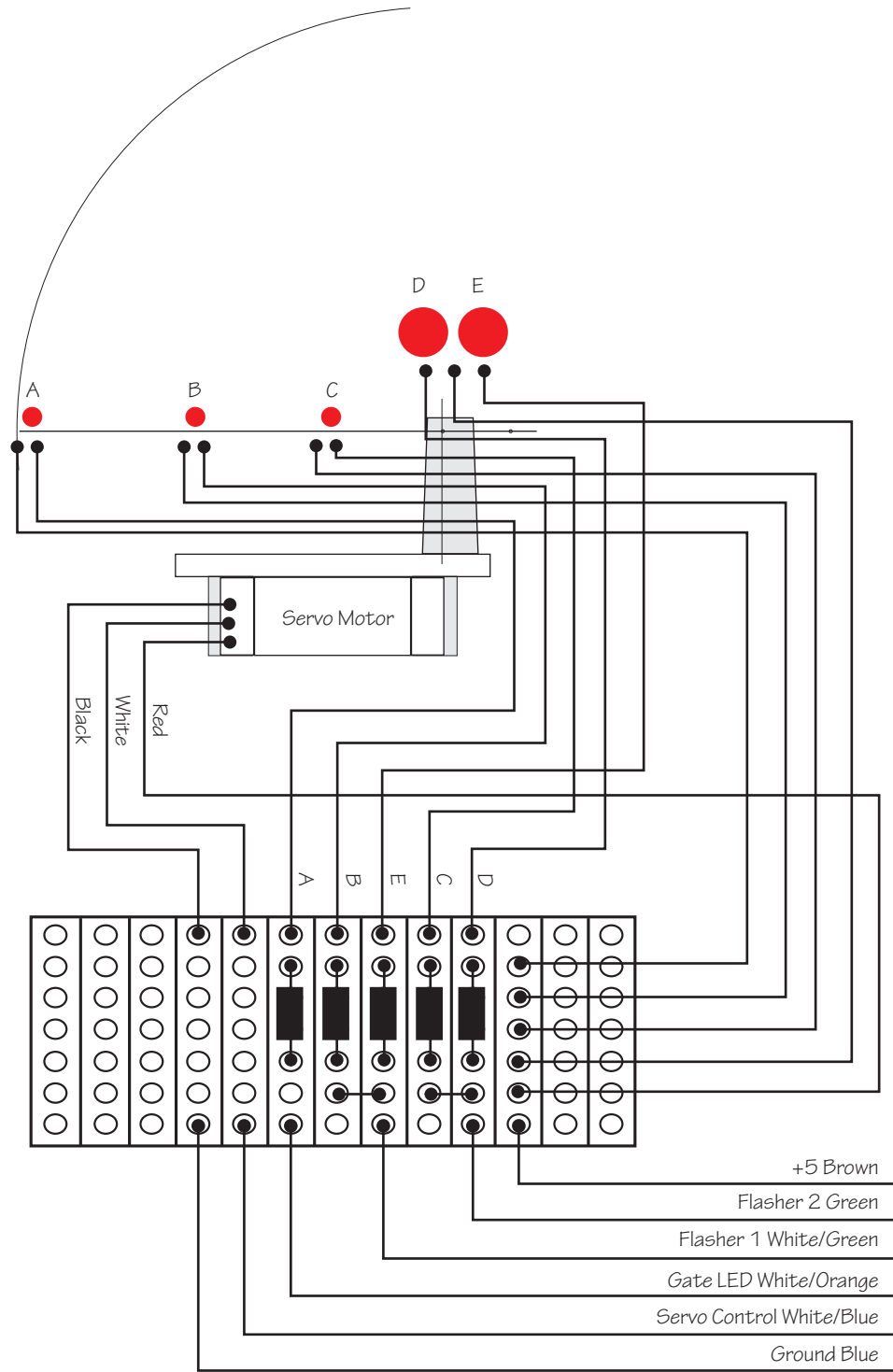
A 1k

B 1k

C 1k

D funny blue

E funny blue



SOUTHERN CALIFORNIA RAILWAY  
Grade Crossing Wiring

2/23/12